

Chairlift T80

LIPPE
LIFT- UND
ANLAGENBAU

Weststraße 48
32657 Lemgo
Tel +49 (0)5261-9666-0
Fax +49 (0)5261-9666-22



- ✓ Very high capacity 225kg
- ✓ Usable for outside
- ✓ Chair can be exchanged for a wheelchair platform
- ✓ Worldwide dealer network
- ✓ Safety against an unauthorized use by keyswitches
- ✓ Can be attached to every electric house installation (~ 230V/50-60Hz)
- ✓ Type approval
- ✓ Manufactured to 100% in Germany

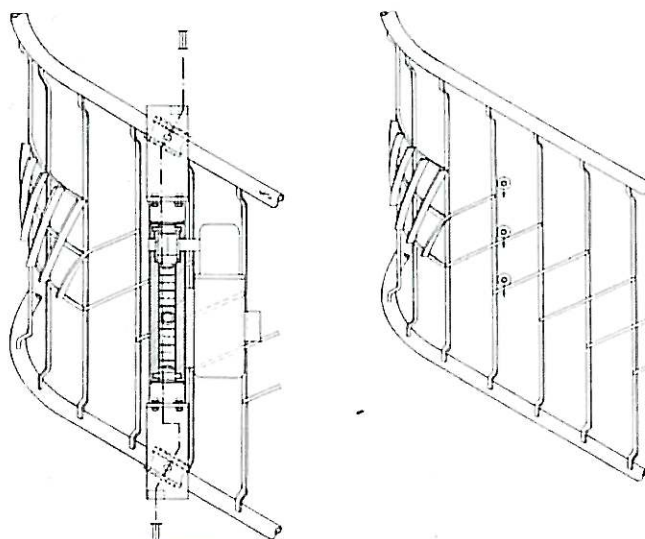
Technical data

Chairlift T80

Application:	Straight and curved rail usable for all kind of stairs; for transport of one person
Capacity:	225Kg
Inclination:	0° bis 60°
Diameter of curve:	min. 324mm (324mm, 436mm, 485mm und 680mm are standard diameter)
Size of seat:	365x430mm (WxD)
Colour:	Chair: DB703 (<i>grey metallic</i>); seat, backrest and armrest lightgrey Rail: RAL 9002, RAL 8022, RAL 7032, RAL 1011, RAL 9006 and DB703 All other RAL-colours available
Drive system:	Special steel chain
Motor:	24VDC / 0,55KW
Speed:	max. 0,15 m/s
Safety:	Hold to run button / Overspeed governor / Typ approved
Outdoor protection:	Rail, stanchions and fixing material: hot dip galvanized without powder coating Rail, stanchions and fixing material also in stainless steel available (either with powder coating or sharpened surface) Chair: electrical galvanized and powder coated
Option:	Emergency call / Safety belt / Outer control under plaster / Cover of synthetic leather for chair (outdoor) / Etc.
Specials:	No lubricant on railparts necessary

Function of the drive system

The rail starts in front of the first step and normally ends with the last step. The rail consists of two steel tubes which are connected by vertical steel bars. The vertical bars serve for the inclined steel bars. The drive rollers (6 steel rollers) are fixed to a circulating special chain which support alternating at the inclined steel bars. There are always two steel rollers in intervention. To avoid centrifugal forces the chair drives slower in the curves, because the inclination of the steel bars is higher in the curves.



AJ Hisskonsult ab

Box 586 SE-192 05 SOLLENTUNA
Tel 08-754 8115, e-mail anders@ajhkonsult.se
Fax 08-444 3288, gsm 070-565 0810